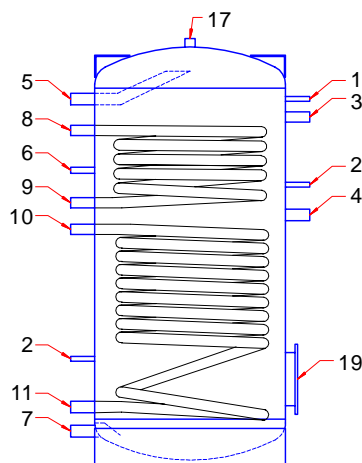


Solarspeicher emaliert Art.-Nr.: 20.41.0801- 1001



- 1 Thermometer 1/2"
- 2 Fühler 1/2"
- 3 Magnesiumanode 1 1/4"
- 4 Elektroheizung 1 1/2"
- 5 Warmwasser 1 1/2"
- 6 Zirkulation 3/4"
- 7 Kaltwasser 1 1/2"
- 8 Vorlauf Kessel 1 1/4"
- 9 Rücklauf Kesse 1 1/4"
- 10 VL Alternativenergie 1 1/4"
- 11 RL Alternativenergie 1 1/4"
- 17 Anschluss oben 1 1/4"
- 19 Flansch ø290

Zwischenflansch ø290 - ø180 für
Flanschelektroheizung siehe Reister 15

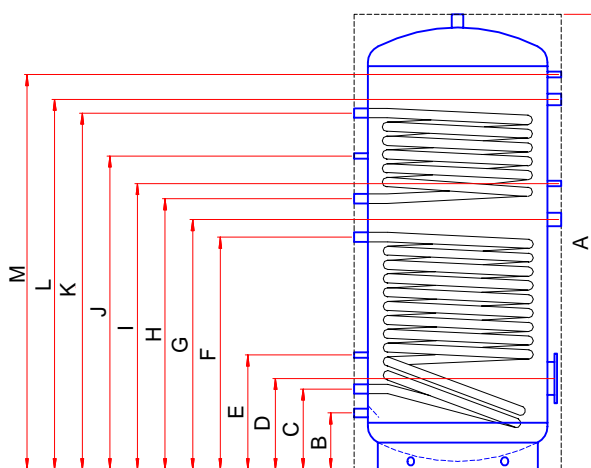
| Type | Heiz- wasser- vorlauf temp. | Warmwasserdauerleistung tKW = 10 °C | | | | Anfangsleistung tKW = 10 °C | | Leistungskennz. NL tKW = 10 °C tww = 45 °C tSP = 50 °C | Heiz- fläche m ² | Heiz- wasser- bedarf m ³ /h | Druck- Verlust m WS |
|---------------------------|--------------------------------------|--|--------------|-------------|-------------|--------------------------------|---------|---|-----------------------------------|---|---------------------------|
| | | t ww = 45 °C | t ww = 60 °C | tSP = 50 °C | tSP = 60 °C | | | | | | |
| | ° C | l/h | kW | l/h | kW | l/10min | l/10min | - | | | |
| 1 | 2 | 3 | 4 | 5 | 6 | 7 | 8 | 9 | 10 | 11 | 12 |
| SSP 800 unten | 50 | 353 | 14,3 | --- | --- | 973 | --- | 1,4 | | | |
| | 60 | 647 | 26,3 | --- | --- | 1022 | --- | 4,8 | | | |
| | 70 | 903 | 36,7 | 418 | 24,3 | 1065 | 1293 | 8,2 | 3,2 | 5,5 | 2,4 |
| | 80 | 1150 | 46,7 | 620 | 36 | 1106 | 1335 | 11,6 | | | |
| | 90 | 1392 | 56,6 | 803 | 46,6 | 1146 | 1375 | 15,2 | | | |
| SSP 800 oben | 50 | 214 | 9 | --- | --- | 390 | --- | --- | | | |
| | 60 | 384 | 16 | --- | --- | 418 | --- | 2,6 | | | |
| | 70 | 533 | 21,7 | 253 | 14,7 | 443 | 532 | 4,0 | 1,8 | 5,5 | 1,3 |
| | 80 | 676 | 27,5 | 368 | 21,4 | 467 | 556 | 5,7 | | | |
| | 90 | 816 | 33,2 | 475 | 27,6 | 490 | 579 | 7,4 | | | |
| SSP 1000 unten | 50 | 400 | 16 | --- | --- | 1210 | --- | 1,7 | | | |
| | 60 | 749 | 31 | --- | --- | 1268 | --- | 5,7 | | | |
| | 70 | 1051 | 42,7 | 481 | 27,9 | 1318 | 1604 | 9,8 | 3,8 | 5,5 | 2,8 |
| | 80 | 1340 | 54,5 | 719 | 41,8 | 1366 | 1652 | 14,0 | | | |
| | 90 | 1623 | 66 | 933 | 54,2 | 1413 | 1699 | 18,3 | | | |
| SSP 1000 oben | 50 | 307 | 13 | --- | --- | 565 | --- | 1,3 | | | |
| | 60 | 557 | 23 | --- | --- | 607 | --- | 3,5 | | | |
| | 70 | 774 | 31,5 | 362 | 21 | 643 | 772 | 5,9 | 2,7 | 5,5 | 2,0 |
| | 80 | 985 | 40 | 533 | 30,9 | 678 | 807 | 8,3 | | | |
| | 90 | 1192 | 48,4 | 689 | 40 | 713 | 841 | 10,8 | | | |

tKW = Kaltwassereintrittstemperatur

tSP = Speichertemperatur

tww = Warmwassermischtemperatur

Solarspeicher emaliert Masse Art.-Nr.: 20.41.0801- 1001



| | | SSP 800 | SSP 1000 |
|-----------------------------|------------------|----------------|-----------------|
| Durchmesser | mit Isolierung | 980 | 980 |
| | ohne Isolierung | 790 | 790 |
| A | mit Isolierung | 1830 | 2160 |
| | ohne Isolierung | 1730 | 2060 |
| B | mm | 140 | 140 |
| Kaltwasser | R ^{1/2} | 1 1/2" | 1 1/2" |
| C | mm | 240 | 240 |
| Rücklauf Alternative | R ^{1/4} | 1 1/4" | 1 1/4" |
| D | mm | 360 | 360 |
| Flansch | Ø | Ø290 | Ø290 |
| E | mm | 440 | 440 |
| Fühler | R ^{1/2} | 1/2" | 1/2" |
| F | mm | 975 | 1095 |
| Vorlauf Alternative | R ^{1/4} | 1 1/4" | 1 1/4" |
| G | mm | 1035 | 1135 |
| E-Heizung | R ^{1/2} | 1 1/2" | 1 1/2" |
| H | mm | 1085 | 1180 |
| Rücklauf Kessel | R ^{1/4} | 1 1/4" | 1 1/4" |
| I | mm | 1160 | 1240 |
| Fühler | R ^{1/2} | 1/2" | 1/2" |
| J | mm | 1220 | 1380 |
| Zirkulation | R ^{3/4} | 3/4" | 3/4" |
| K | mm | 1385 | 1720 |
| Vorlauf Kessel | R ^{1/4} | 1 1/4" | 1 1/4" |
| L | mm | 1440 | 1770 |
| Anode | R ^{1/4} | 1 1/4" | 1 1/4" |
| M | mm | 1515 | 1845 |
| Thermometer | R ^{1/2} | 1/2" | 1/2" |
| M | mm | 1515 | 1845 |
| Warmwasser | R ^{1/2} | 1 1/2" | 1 1/2" |